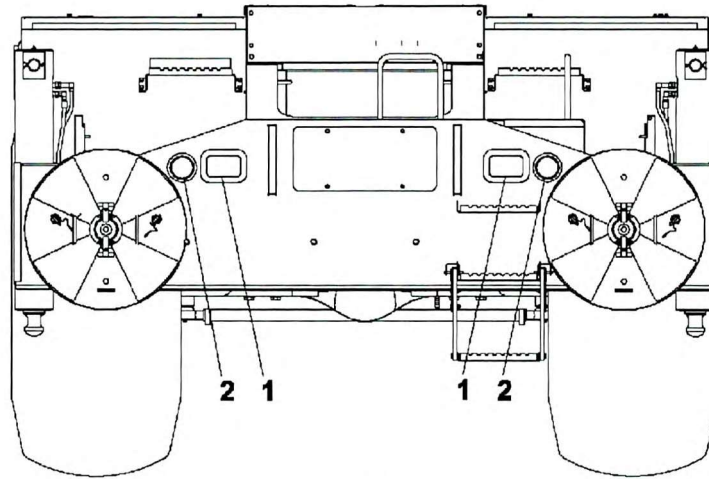
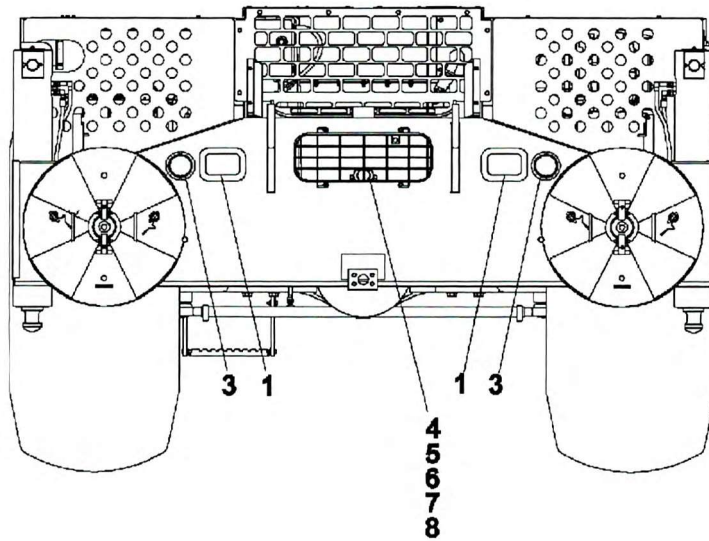


Manitowoc Cranes



FRONT VIEW CARRIER
HEADLIGHTS & TURNMARKER LIGHTS



REAR VIEW CARRIER
BACKUP LIGHTS, STOP/TURN/TAIL
LIGHTS & BACKUP ALARM